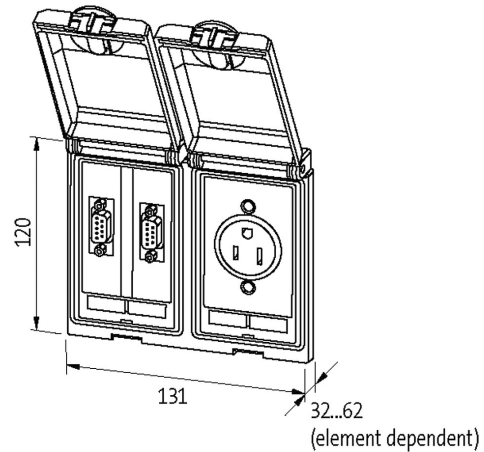


Modlink MSDD-set: Frame 4000-68122-0000000,
insert 4000-68000-8900000 + 4000-68000-0010000

Illustration





Product may differ from Image

Frame

suitable for mounting with wall thickness	1...5 mm
Protection	IP65
Housing	Zinc die-casting, KTL coated
Temperature range	-10...+60 °C (storage temperature -25...+60 °C)

Germany (VDE)

Operating voltage	250 V AC
Operating current	16 A
No. of poles	2 + PE
Connection	Screw terminals: max. 2 × 6 mm ² (AWG 10)
LED display	yellow

Commercial data

country of origin	CZ
customs tariff number	85389099
EAN	4048879035293
eClass	27189217
Packaging unit	1